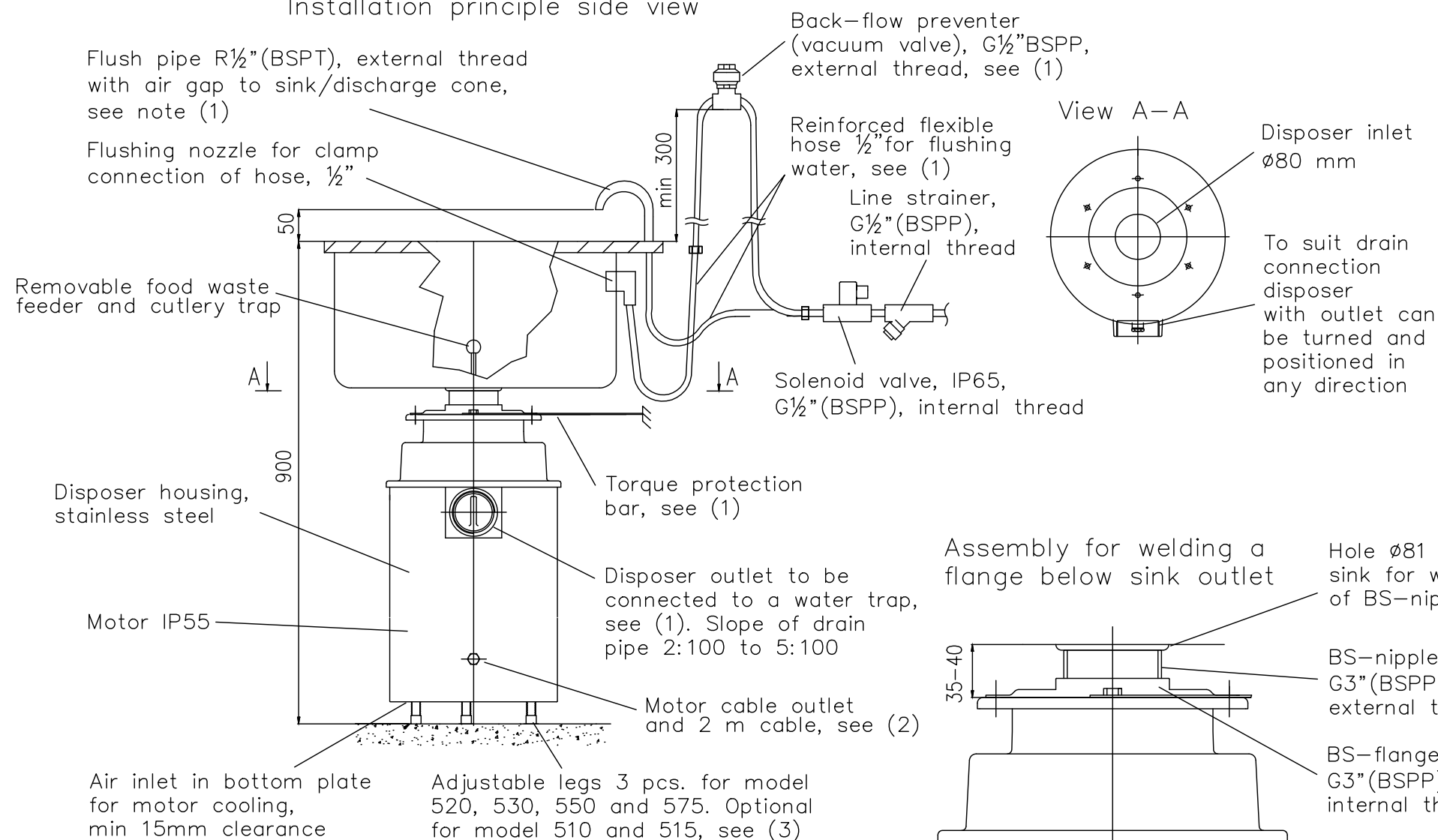


① Electrical connection: Semifixed, cable length 2m

② Disposer outlet: G2 1/2" BSPP, internal thread

Code	Electric supply	P/kW	Fuse/A
4000530MK	3PE AC 400V 50Hz	2,2	16
4000530MM	3PE AC 440V 60Hz	2,2	16
4000530MO	3PE AC 480V 60Hz	2,2	16

Installation principle side view



- Installation material needed but not incl. in standard delivery are:
 - main electrical safety switch placed on wall/bulkhead for incoming electricity,
 - hose with protective steel-covered stocking (minimum inner $\varnothing 9$ mm) for cold flush water,
 - vacuum valve (marine installation),
 - water trap for connection to disposer outlet,
 - torque protection bar, for fixing disposer to wall/bulkhead.

Can be ordered from DISPERATOR.
- For connection to start/stop unit including contactor and overload protector (IP66) placed on wall/bulk head. Start/stop unit to be connected to main electrical safety switch, see (1), but not to earth leakage circuit breaker.
- 3-ph. unit without legs as standard. Legs available as option.

Vers. Ind.	Muutos/Alteration:	Pvm. Date	Suun. Design.
Tämä piirustus on Metos Oy Ab:n omaisuutta, kopiointi tai osittainenkin jäljentäminen ilman Metos Oy Ab:n lupaa on ehdottomasti kielletty. This document may not be copied in part or in whole by any process nor passed on to a third party without the written permission of the owner Metos Oy Ab.			
Subst. Scale:	1: 10 A3	Suun. Design. www.metos.com/	Tarv./Alluanna. Inq./order nr. Pvm. Date 04.03.2026
metos		Waste disposer Disperator 530A-BS	
Metos Oy Ab FI-04220 KERAVA Tel: 0204 39 13 Fax: 0204 39 4432		Proj.no	Piir.no Dwg.no. Vers.Ind. Lehti Page